



# QUICKSTART GUIDE FastWeigh Sheep Crate

This quickstart provides basic instructions for setting up and using your FastWeigh sheep crate.

Unpacking the box .....	1
Installing the FastWeigh sheep crate .....	2
Guide for accurate weighing .....	4
Transporting .....	5
Maintenance and care .....	6
Warranty and servicing .....	7

## 1 Unpacking the box

Check that you have all of these items. If anything is missing, contact your supplier.



**FastWeigh sheep crate**  
(the sheep crate)



**Indicator mounting pole**  
for the weigh scale indicator\*



**Hanger brackets**  
for suspending the FastWeigh sheep crate in the race

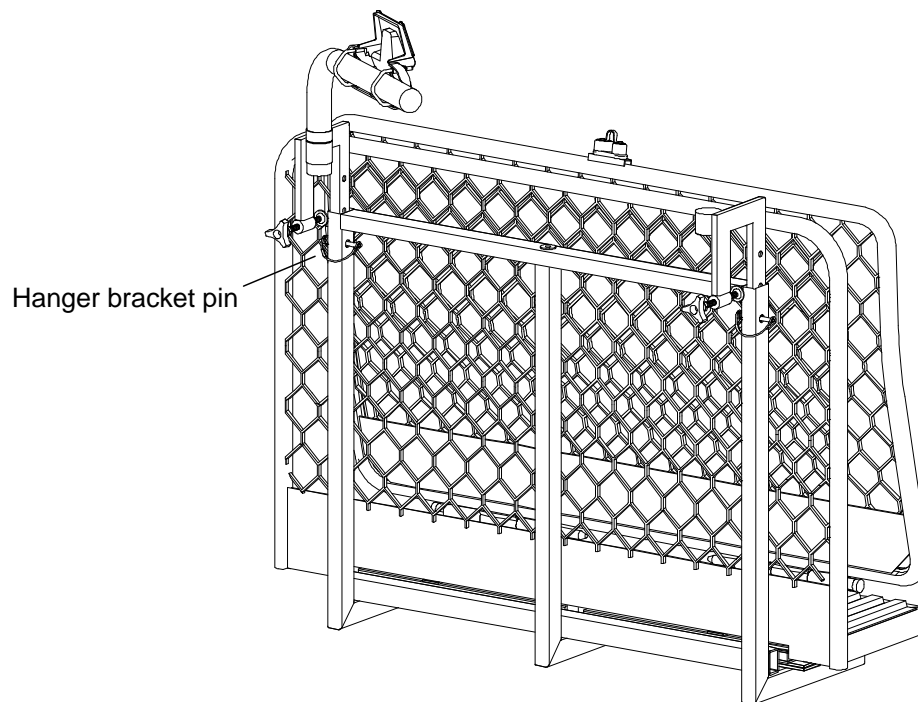
not supplied\*

## 2

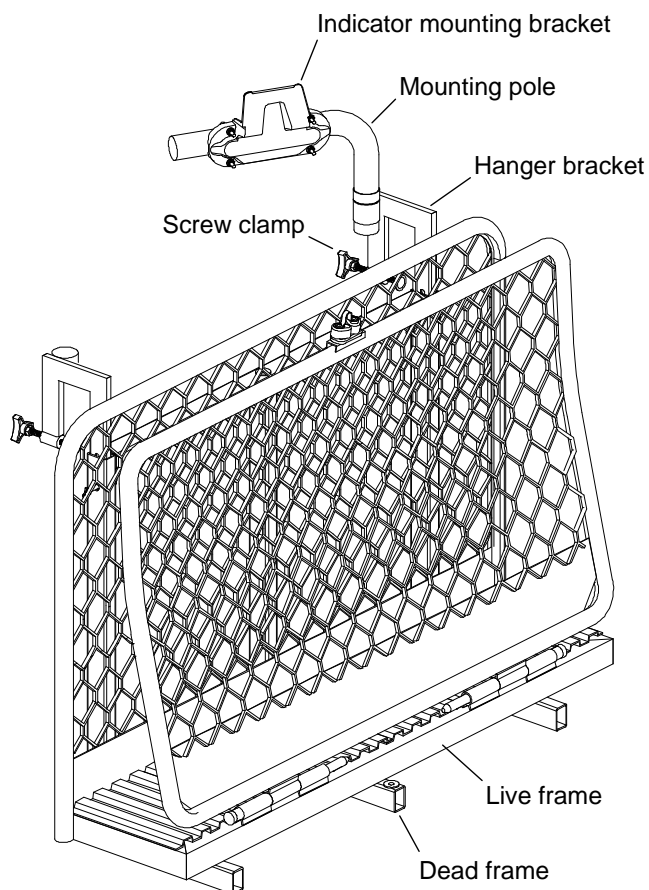
## Installing the FastWeigh sheep crate

The FastWeigh sheep crate is designed to be suspended in the race, holding the animal in place during weighing. A weigh scale indicator (not supplied) is mounted on the indicator mounting pole and connects to a load cell via the load cell cable. The load cell under the crate senses the animal's weight and sends it to the weigh scale indicator.

1. Remove the hanger bracket pins.
2. Position the sheep crate in the race as close to the ground as possible (to ensure good stock flow). Slide the hanger brackets to the desired height.
3. Replace the hanger bracket pins.



4. Hang the sheep crate in position and tighten the screw clamps on the hanger brackets.
5. Position the indicator mounting pole onto the hanger bracket and tighten in place.
6. Fit the indicator mounting bracket (supplied with the indicator) to the sheep crate indicator mounting pole.
7. Slide the indicator onto the indicator mounting bracket.
8. Connect the load cell cable to the indicator and screw the two dust caps together to prevent dust and moisture from accumulating in them.



---

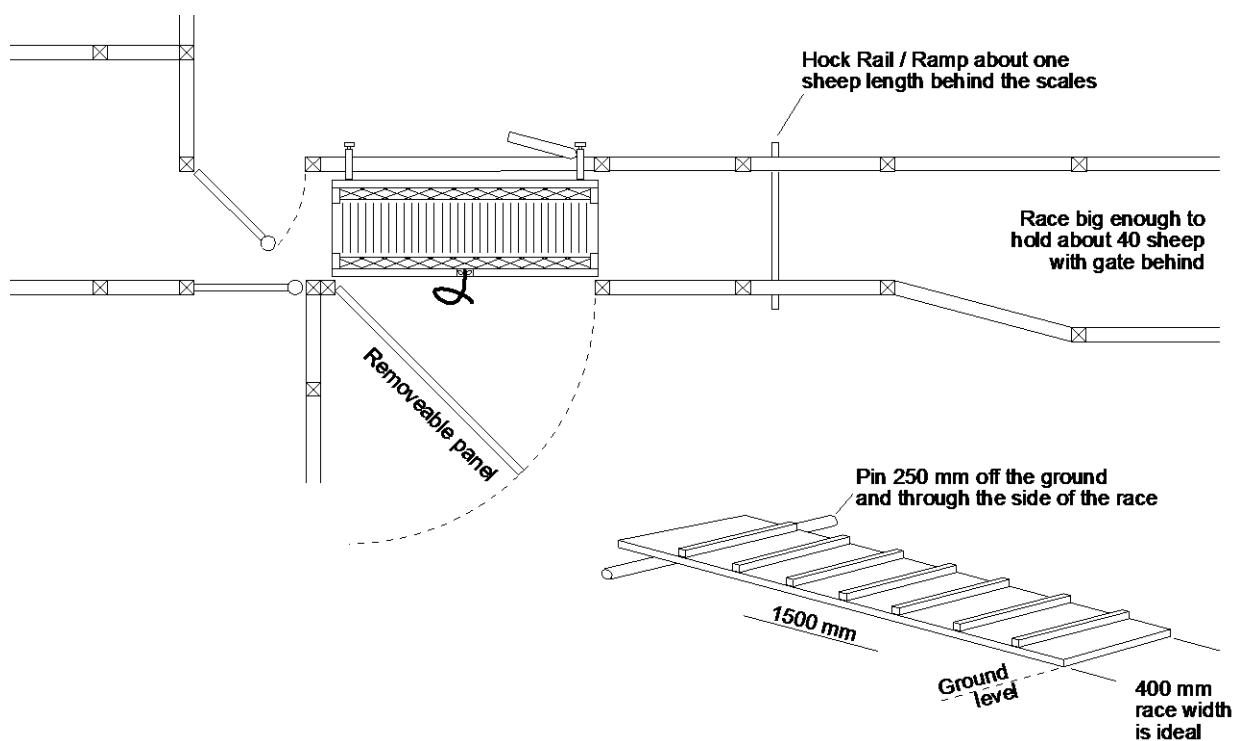
*Note:* The sheep crate can also be used on the ground on a firm level surface. However, due to its lightweight construction, it needs to be restrained to prevent it sliding about as animals enter and exit.

---

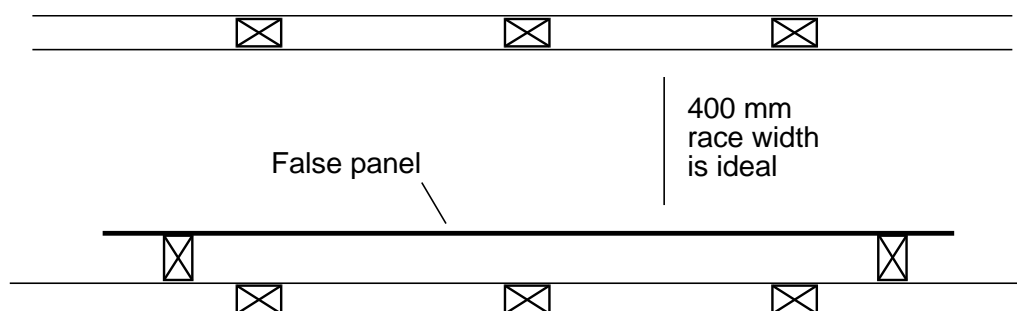
## 3 Guide for accurate weighing

### Animal flow and yard layout

- The animal should have all feet on the sheep crate when being weighed.
- The following animal should not be touching the sheep crate.
- Remove your hands from the sheep crate once the animal is held, otherwise this will affect the speed and accuracy of weighing.
- Yard design is critical for the smooth flow of animals when weighing.
- A removable panel will provide greater access to the sheep crate.
- A minimum race width of 400 mm at the crate is required for effective operation if a removable panel is not used.
- A hock ramp will speed up the weighing of sheep by preventing lambs from backing away from the sheep crate.



- Adjust race width to prevent lambs from turning around.
- Ideal race width leading up to the sheep crate is about 400 mm.
- Add a false panel to reduce the race width if necessary.



## 4 Transporting

Use a cycle rack to transport the sheep crate easily with any vehicle.



## 5 Maintenance and care

---

Tru-Test manufactures rugged and robust products designed to withstand the environment associated with livestock handling. However, the life of your FastWeigh sheep crate can be extended with the appropriate care, and the following guidelines will help maintain the good condition of your weighing system.

- Prevent build-up of dirt under the sheep crate or between the live frame and the dead frame.
- Cuts or splits in the load cell cable can affect weighing performance and lead to failure if the slightest amount of moisture gets in. Return damaged equipment to a Tru-Test Service Centre for repair.
- If emergency repairs are to be carried out, it is essential that the cable is thoroughly dried first. Each wire should then be individually insulated. Use an epoxy or polyurethane potting compound and cover with waterproof tape or glue type heatshrink. If repairs are not carried out adequately, repeated failure is likely.
- The load cell is designed to be splash proof. However, under no circumstances should the load cell be submerged in or blasted with water.
- The sheep crate should not be exposed to moisture or animal manure for extended periods. Although the load cell is coated to prevent corrosion, prolonged exposure to moisture could cause damage.
- The dust cap must be replaced on the load cell plug whenever detached from the indicator.
- Dust and moisture can be removed from the plugs and caps using methylated spirits, ethyl alcohol, or a suitable electrical contact cleaner. Stronger spirits must not be used, as they may react with the plastic.

---

*Caution:*

- Before attempting any welding on the sheep crate, completely remove the load cell from beneath the floor. Failure to do this will result in permanent damage to the load cell.
  - Do not adjust the turn-buckles on the chain system. This will affect weighing accuracy.
-

# 6

## Warranty and servicing

---

For service and warranty information, see [www.tru-test.com](http://www.tru-test.com).

© 2016 Tru-Test Limited.

All product names and brand names in this document are trademarks or registered trademarks of their respective holders.

No part of this publication may be photocopied, reproduced, stored in a retrieval system, or transmitted in any form or by any means, electronic, mechanical, photocopying, recording or otherwise without the prior written permission of Tru-Test Limited. Product specifications may change without prior notice.

For more information on other quality Tru-Test Group brands and products, visit [www.tru-testgroup.com](http://www.tru-testgroup.com)

Tru-Test Limited  
25 Carbine Road  
Mt Wellington  
Auckland 1060  
New Zealand

*Postal address:*  
P O Box 51078  
Pakuranga  
Manukau 2140  
New Zealand



WPD50002 Issue 4 10/2016

Tru-Test Limited, 2016. All rights reserved.