

CLEANING

Clean only with warm water and soap, other cleaners may damage the case.

SPECIFICATIONS

Note: product specifications may change without prior notice.

Total Capacity	2000 or 3000 kg (4400 or 6600 lb) depending on loadbars/EziFeet used.
Resolution	Set to 0.5 kg (fine mode 0.1 kg) or 1 lb (fine mode 0.2 lb).
Accuracy	±1 % or 2 resolutions (whichever is greater) with Tru-Test loadbars/EziFeet connected.
Power supply	12 V DC (power adaptor or vehicle battery).
Operating temperature	-10 to +40 °C (+14 to +104 °F).
Storage temperature	-20 to +35 °C (-4 to +95 °F).
Internal battery run time	8 hours with 2 loadbars connected.
Environmental	IP67 (immersion in 1 m of water).

FOR SERVICE

www.tru-test.com

New Zealand	Phone (09) 978 8888	Facsimile (09) 978 8889	Toll Free 0800 878 837
USA	Phone (940) 327 8020	Facsimile (940) 327 8048	Toll Free 1 800 874 8494
Australia except W.A.	Phone (03) 5820 1800	Facsimile (03) 5831 5524	Toll Free 1 800 682 880
W.A.	Phone (08) 9274 1122	Facsimile (08) 9274 4824	Toll Free 1 800 682 880
UK	Phone (01765) 689 541	Facsimile (01765) 689 851	
Ireland	Phone (021) 334 066	Facsimile (021) 334 520	
Denmark	Phone 45 800 922	Facsimile 45 800 999	
Hungary	Phone (23) 414 100		
Czech Republic	Phone (5) 4721 5729		
Poland	Phone (22) 645 1247		
Latvia	Phone 2945 796	E-mail doma@sal.lv	
Lithuania	Phone 2790 034	E-mail vildoma@ipc.lt	
Estonia	Phone 7362 716	E-mail estdoma@kodu.ee	

FCC NOTICE

The Tru-Test Model EziWeigh indicator has been tested and found to comply with the limits for a Class A digital device, pursuant to Part 15 of the FCC rules. These limits are designed to provide reasonable protection against harmful interference when the equipment is used in a commercial environment. This equipment generates, uses and can radiate radio frequency energy and, if not installed and used in accordance with the instruction leaflet, may cause harmful interference to radio communications. Operation of this equipment in a residential area is likely to cause harmful interference, in which case users will be required to correct the interference at their own expense.

Tru-Test Limited Auckland New Zealand www.tru-test.com

TRU-TEST

© Tru-Test Limited, 2001. All rights reserved. EziWeigh is a trademark of Tru-Test Corporation Limited.

WID40001 rev 5 9.01

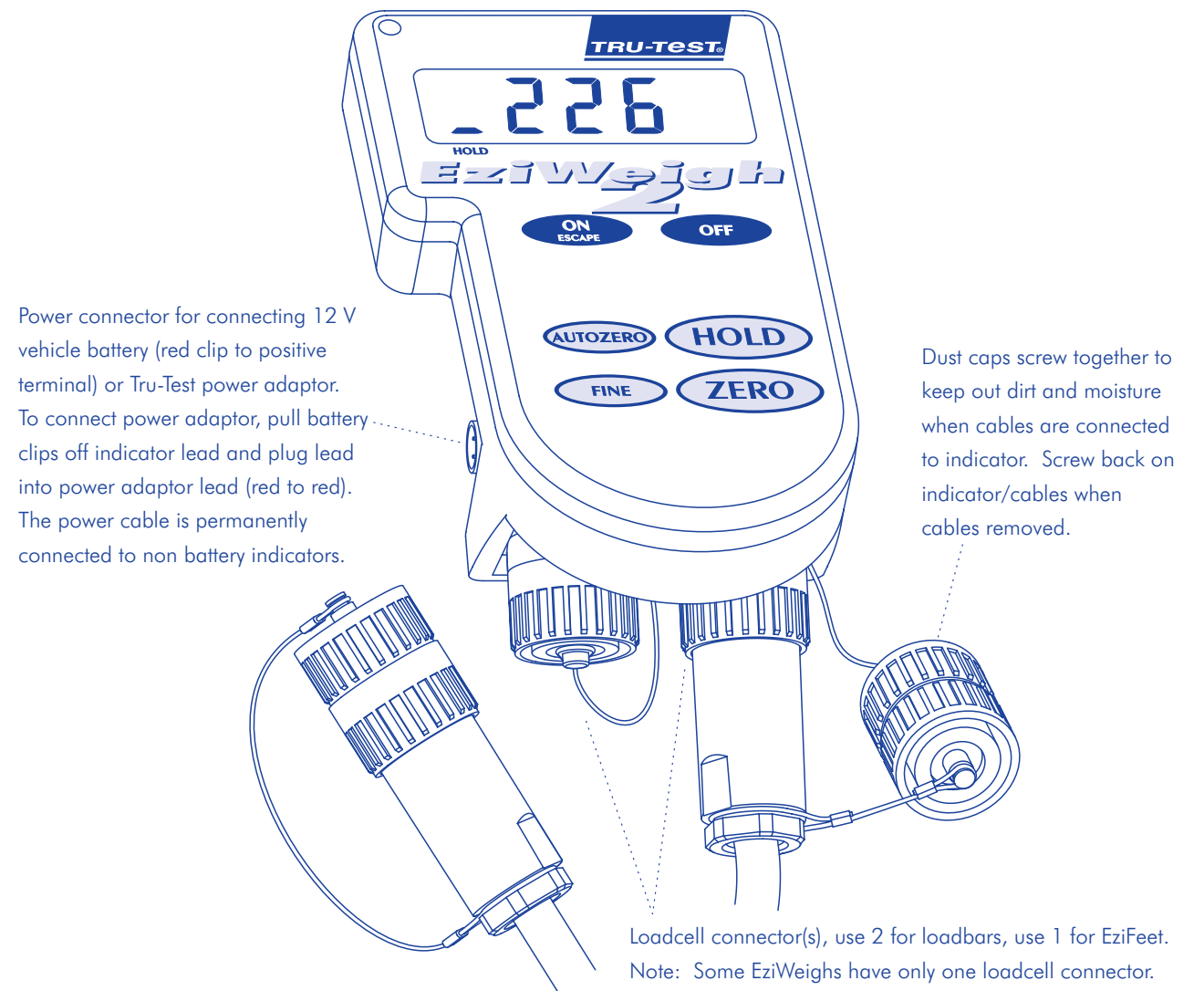
TRU-TEST **EziWeigh**™

World leaders in weighing

Congratulations on your purchase of this Tru-Test EziWeigh scale indicator.

INSTALLATION

1. Install loadbars/EziFeet under the platform on a firm, level surface (see Loadbar User Manual).
2. Mount indicator bracket in a convenient place where animals cannot knock the indicator off or chew the cables. The bracket mounts onto flat surfaces (timber rails, concrete) or pipe-work with the supplied U-bolt.
3. Connect loadbar/EziFeet cable(s) to the indicator. Connect dust caps as shown. The indicator automatically calibrates to Tru-Test loadbars or EziFeet.
4. Connect power cable (if needed).



BASIC WEIGHING

1. Press **ON ESCAPE** and wait for **0.0** display.
2. Move animal onto platform.
3. Wait for stable light .
4. Release animal and repeat from step 2.

HOLD WEIGHT

1. Press **ON ESCAPE** and wait for **0.0** display.
2. Move animal onto platform.
3. Wait for stable light .
4. Press **HOLD** to lock display until next animal.
5. Release animal.
6. Note down animal weight.

FUNCTIONS

Stable light  shows weight is stable.

Shows displayed weight has been locked using **HOLD** key.

Turns indicator on.

Returns indicator to live weight display.

Press to re-weigh if animal is not fully on the platform when stable light shows.

Sets automatic zeroing on/off.

The indicator will zero on power up or when there is no load on the platform.

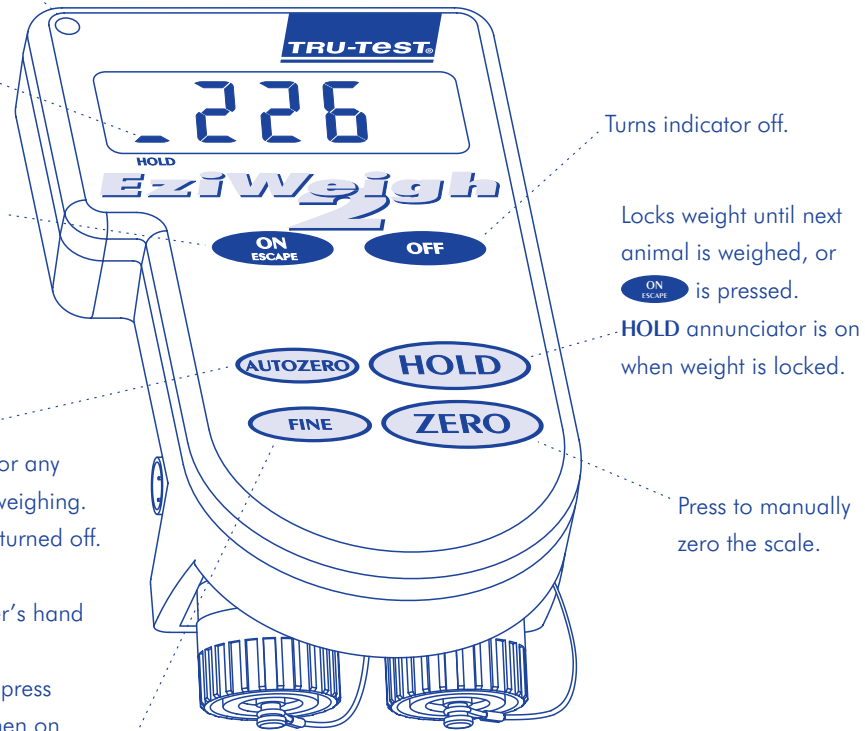
This zeroes the platform to compensate for any build up of dirt (up to 3 kg/6 lb) during weighing. In some situations this feature should be turned off.

Two common examples are:

1. To avoid accidental zeroing of the user's hand pressure on the entry gate.
2. To avoid zeroing a bale left in a wool press when the indicator is turned off and then on again later.

Sets fine weighing on/off.

Not available for some loadcells.



Turns indicator off.

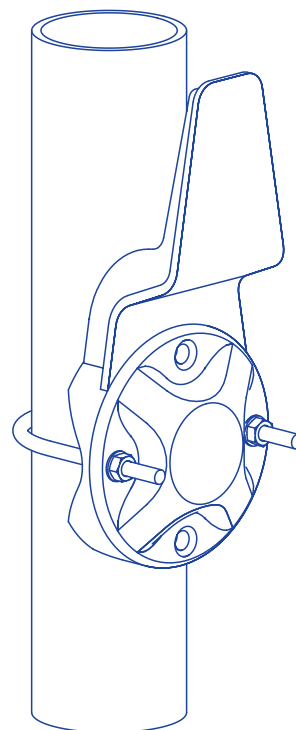
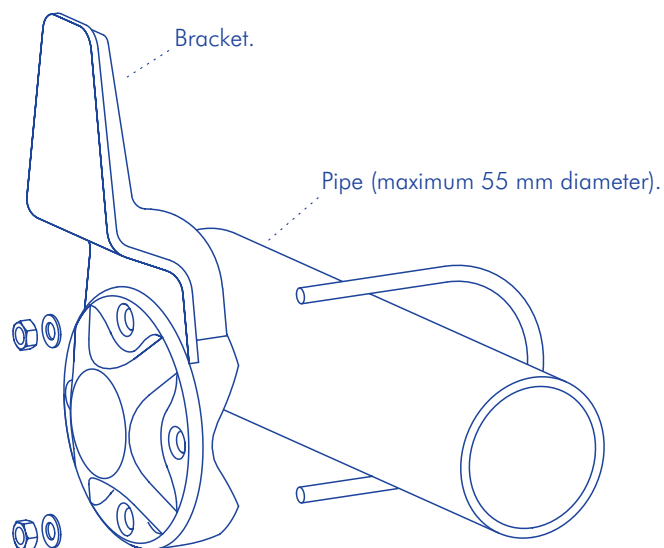
Locks weight until next animal is weighed, or **ON ESCAPE** is pressed.

HOLD annunciator is on when weight is locked.

Press to manually zero the scale.

BRACKET INSTALLATION

Install on a horizontal or vertical pipe as shown, or attach to the wall using screws supplied.



DISPLAY MESSAGES

bAd.c Loadcell type not recognised. Contact TRU-TEST.

bAt.t Recharge battery. About 10 minutes till flat.

chAr Battery is charging. Indicator can be used normally.

E-F Charge level. Battery is low.

E--F Charge level. Battery is fully charged. It is safe to leave on charge.

Er42 Scale needs service. Note the error number and contact TRU-TEST.

HULt External power supply too high. Check power supply.

LULt External power supply too low. Voltage too low to charge.

OFF Function is off.

On Function is on.

oUEr Overload. Weight on scale is greater than capacity. If fine mode is on, clear stats and turn fine mode off.

uL Under load. Negative load or faulty loadcell/wiring.

2Er0 Indicator is zeroing.

OPERATING NOTES

During weighing, check that animals are fully on the platform.

Ensure that the underside of the platform or crate is kept clear of dirt and stones.

Do not leave the indicator or loadbars/EziFeet in water. Store the indicator in a cool dry place.

The indicator automatically turns off after 15 minutes of no activity, to limit discharge of the internal battery.

INTERNAL BATTERY OPTION

The internal battery charger operates from either the recommended Tru-Test power adaptor or a 12 volt vehicle battery. Damage to the indicator caused by other charging supplies, including automotive battery chargers, is not covered by the warranty.

The indicator displays **bAt.t** about 10 minutes before flat, if the battery was fully charged within the last 2 weeks.

Charge the indicator for 12 hours before using it for the first time.

To maximise battery life, observe the following simple guidelines:

- Preferably recharge the battery overnight.
- Never charge the indicator in direct sunlight.
- Store the indicator in a cool dry place.

The internal battery charger ensures maximum life of the battery, while giving the fastest charging rate possible. The battery is protected from overcharging. Charging a flat battery takes 6 hours at temperatures of 10 to 35 °C (50 to 95 °F).

You can safely leave the indicator on charge all the time. The scale can be used while charging. You do not need to charge before storage.

Charging at low or high temperatures could extend the charging time to 12 hours. At extreme temperatures the indicator will not charge.

Fully charge the indicator after storage.

UPGRADING

The EziWeigh indicator can be upgraded to a higher model if required. Other features available include storage of group statistics, 12 group files, 2 way drafting/sorting and file date. Contact your Tru-Test service centre for details.